
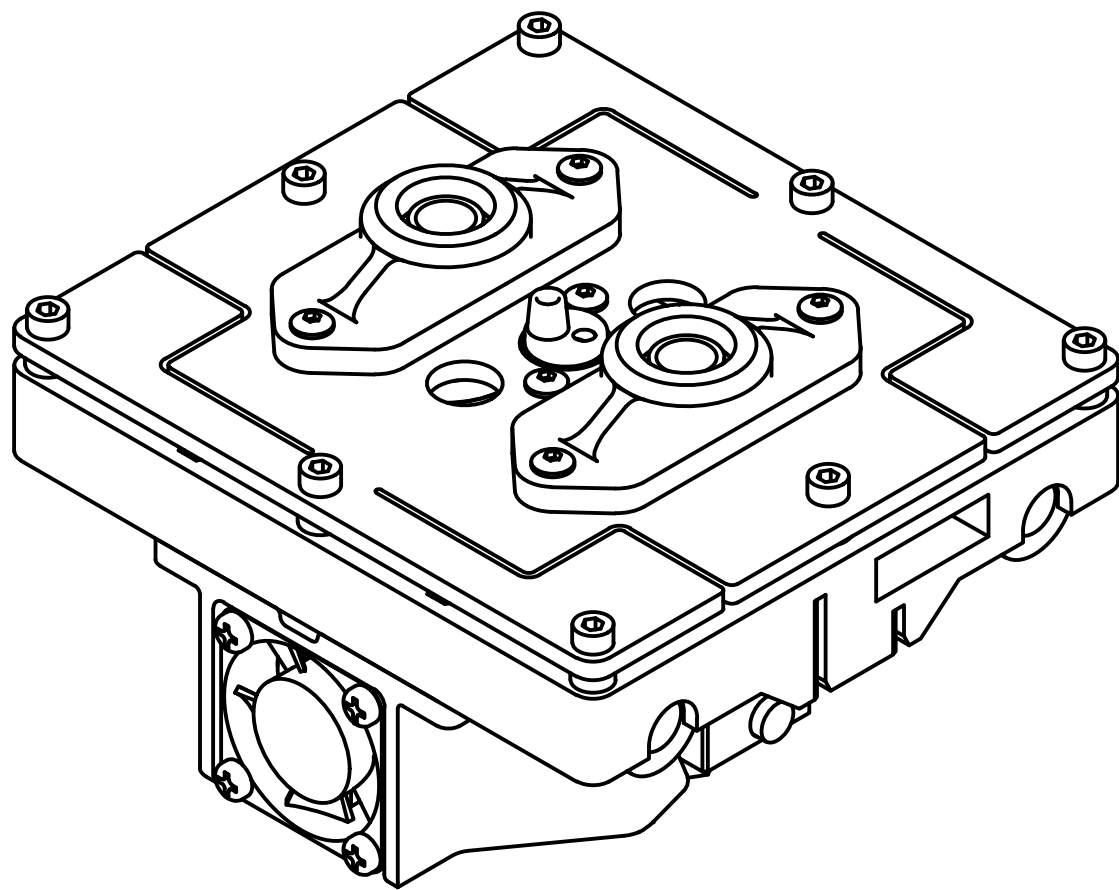



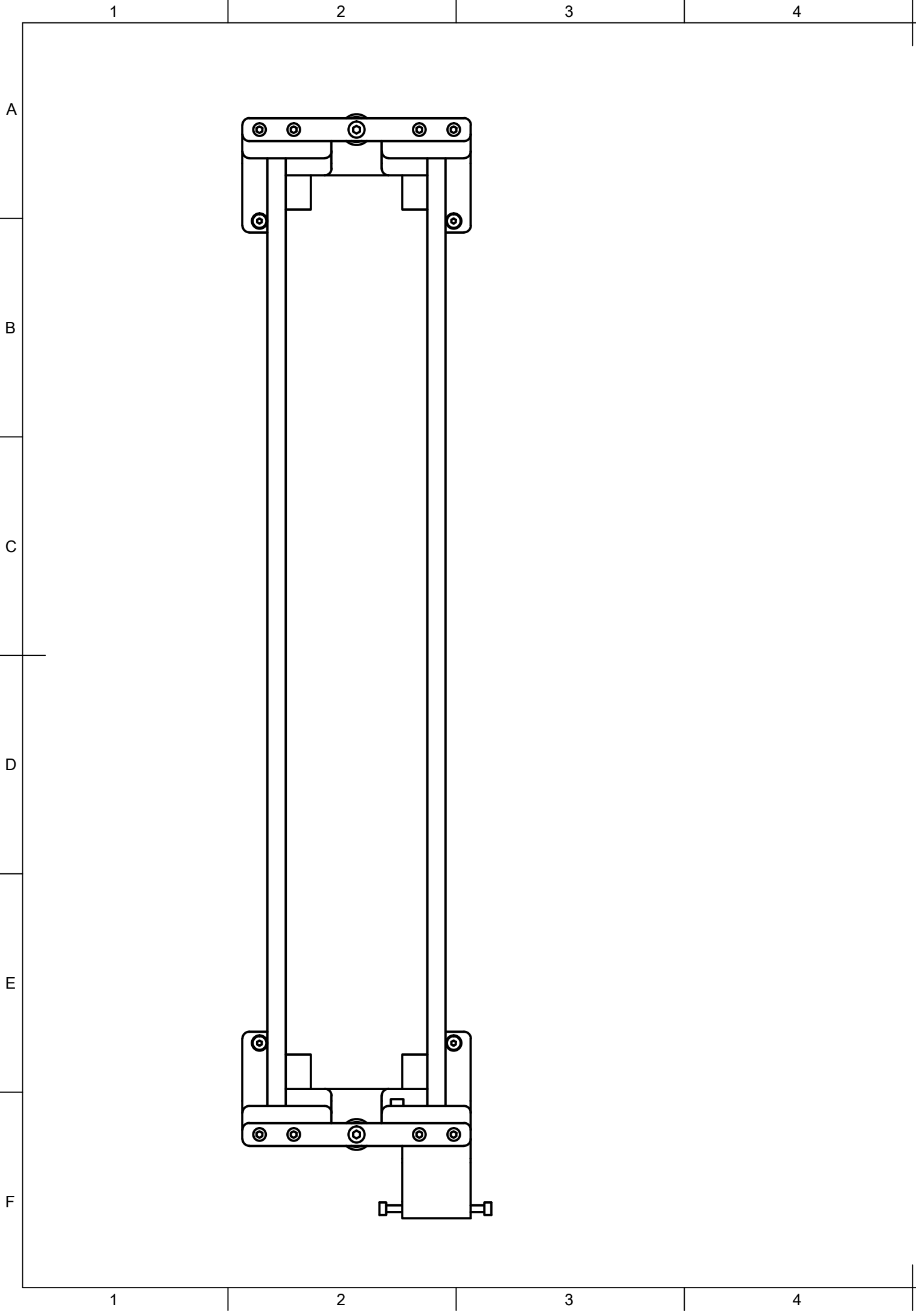
Parts List				
Item	Qty	Part Number	Description	Material
1	4	LimitSwitch v1		Steel
2	28	AttachmentBlock_12x12x12_M3 v1		Steel
3	67	Screw_DIN7380_M3x6 v1		Stainless Steel
4	24	Screw_DIN7380_M3x12 v1		Stainless Steel

Dept.	Technical reference	Created by <b>Christian Oekermann 09.01.2017</b>	Approved by	
		Document type	Document status	
		Title <b>KPV6_Box</b>	DWG No.	
			Rev.	Date of issue




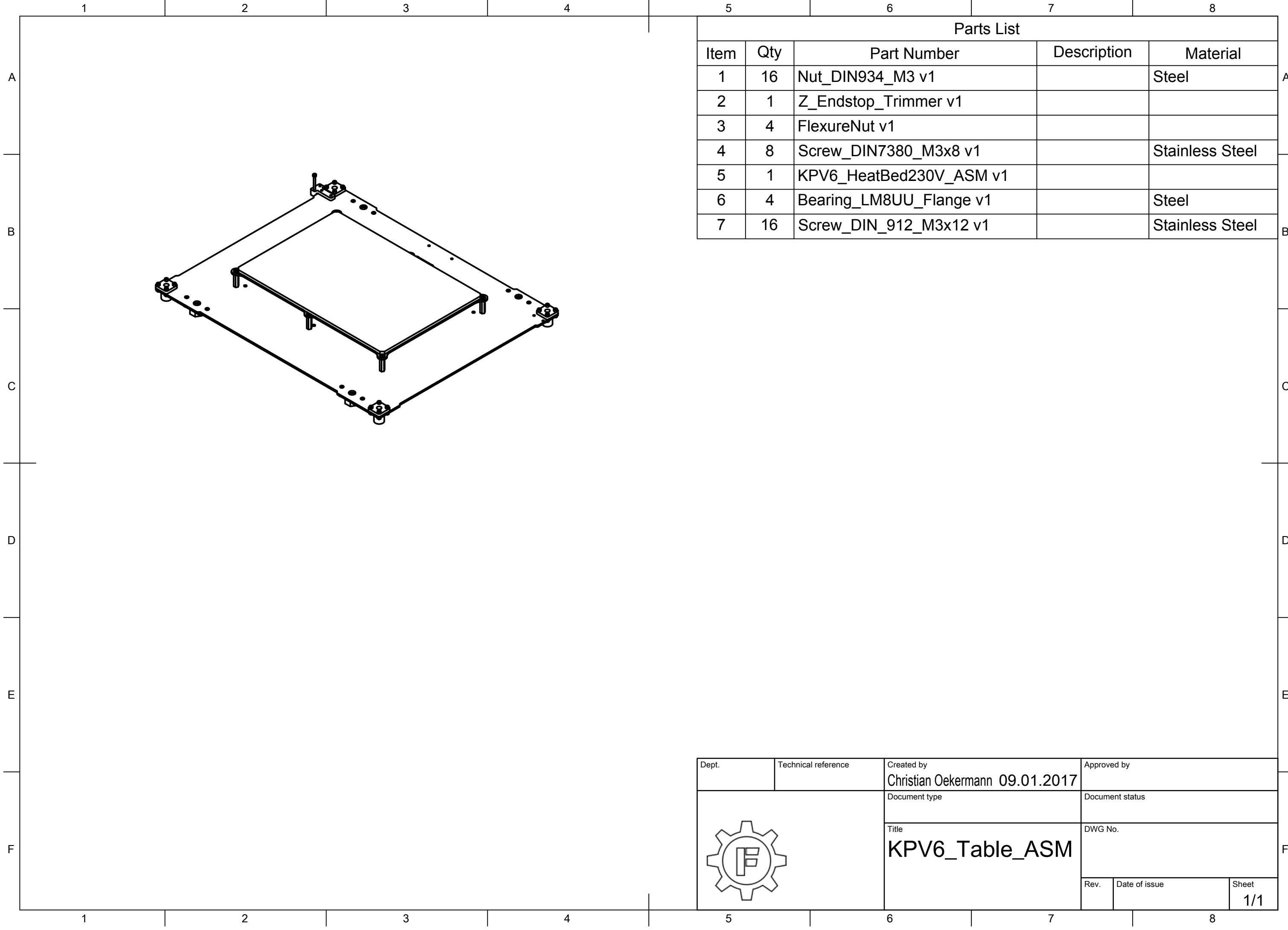
Parts List				
Item	Qty	Part Number	Description	Material
1	2	KPV6_Carriage_Dual_E3DHolder v1		Steel
2	2	Screw_DIN7380_M3x8 v1		Stainless Steel
3	4	Screw_DIN7380_M3x12 v1		Stainless Steel
4	12	Nut_DIN934_M3 v1		Steel
5	2	Spring_4x10 v1		Steel
6	2	Screw_DIN_912_M3x30 v1		Stainless Steel
7	1	LimitSwitch v1		Steel
8	2	Carriage_CoolingDuct v1		
9	2	HotEnd_E3D_V6_Bowden v1		
10	1	Carriage_Dual		ABS Plastic
11	1	MountingPlate		Steel
12	6	Spacer_3,2x6_3 v1		Plastic
13	6	Screw_DIN_912_M3x20 v1		Stainless Steel
14	1	LJ12A3-4-Z-BY v1		Steel
15	1	Sensorhalter v1		Steel
16	4	Bearing_LM8UU v1		Steel

Dept.	Technical reference	Created by Christian Oekermann 09.01.2017	Approved by	
	Document type		Document status	
	Title KPV6_Carriage_Dual_ASM		DWG No.	
	Rev.	Date of issue	Sheet 1/1	




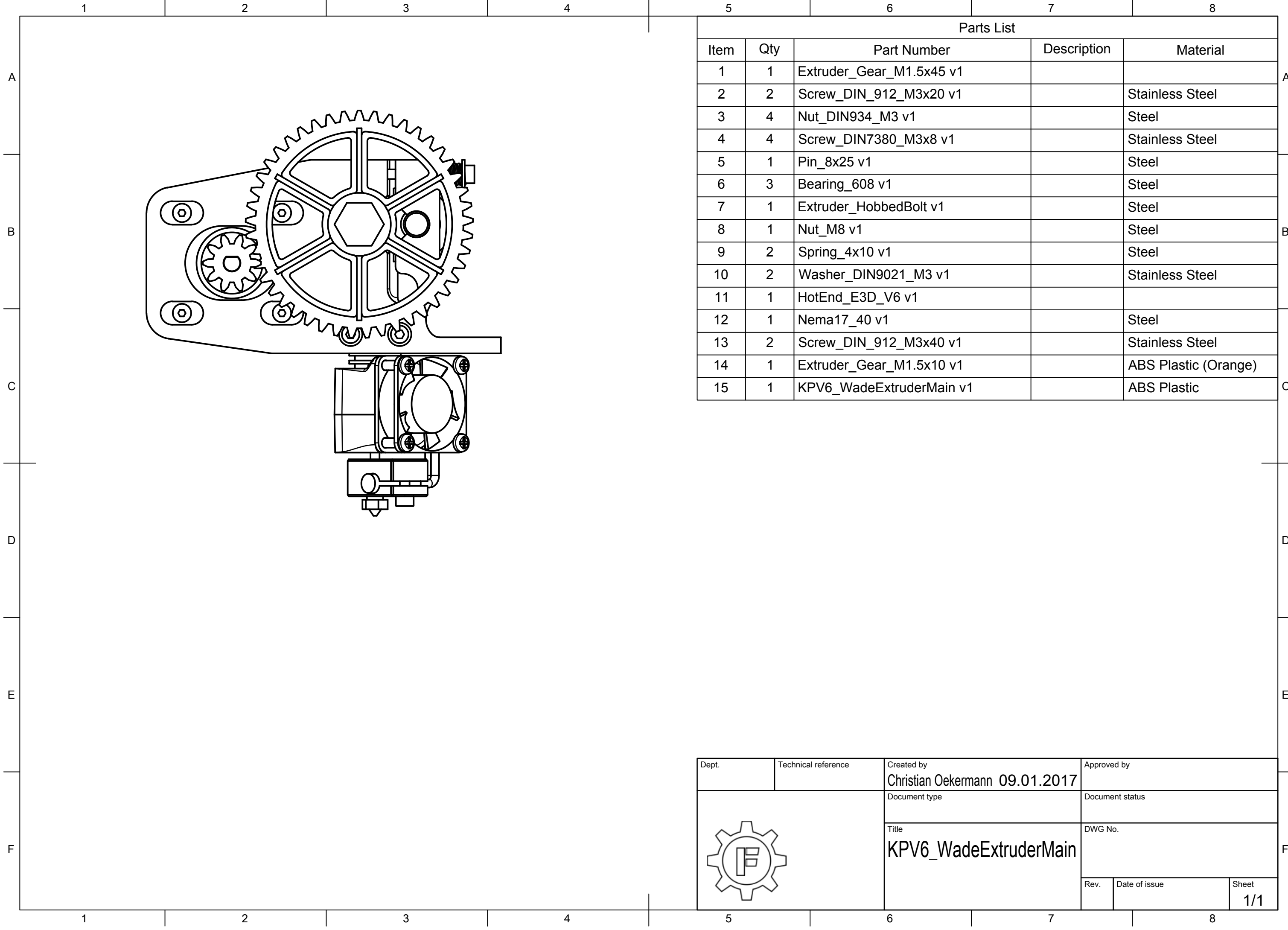
Parts List				
Item	Qty	Part Number	Description	Material
1	2	BearingHolder v1		
2	2	BearingHolder_MIR v1		
3	1	KPV6_Gantry v1		Aluminum
4	2	KPV6_GantryBracketSplit v1		ABS Plastic
5	14	Washer_DIN124_M4 v1		Steel
6	2	Screw_DIN_912_M3x45 v1		Stainless Steel
7	2	X-Axis_Shaft		Stainless Steel
8	2	Screw_DIN_912_M4x35 v1		Stainless Steel
9	2	Nut_DIN934_M4 v1		Stainless Steel
10	10	Washer_DIN433_M4 v1		Steel
11	8	Bearing_F6204ZZ v1		Steel
12	6	Screw_DIN_912_M3x40 v1		Stainless Steel
13	4	Screw_DIN_7991_M3x16 v1 v1		Stainless Steel
14	3	Screw_DIN_912_M3x12 v1		Stainless Steel
15	1	Y_Endstop_Trimmer v1		ABS Plastic
16	2	KPV6_GantryStripe v1		Aluminum

Dept.	Technical reference	Created by <b>Christian Oekermann 09.01.2017</b>	Approved by	
	Document type		Document status	
	Title <b>KPV6_GantryASM</b>		DWG No.	
	Rev.	Date of issue	Sheet <b>1/1</b>	




Parts List				
Item	Qty	Part Number	Description	Material
1	16	Nut_DIN934_M3 v1		Steel
2	1	Z_Endstop_Trimmer v1		
3	4	FlexureNut v1		
4	8	Screw_DIN7380_M3x8 v1		Stainless Steel
5	1	KPV6_HeatBed230V_ASM v1		
6	4	Bearing_LM8UU_Flange v1		Steel
7	16	Screw_DIN_912_M3x12 v1		Stainless Steel

Dept.	Technical reference	Created by <b>Christian Oekermann 09.01.2017</b>	Approved by	
		Document type	Document status	
		Title <b>KPV6_Table_ASM</b>	DWG No.	
			Rev.	Date of issue

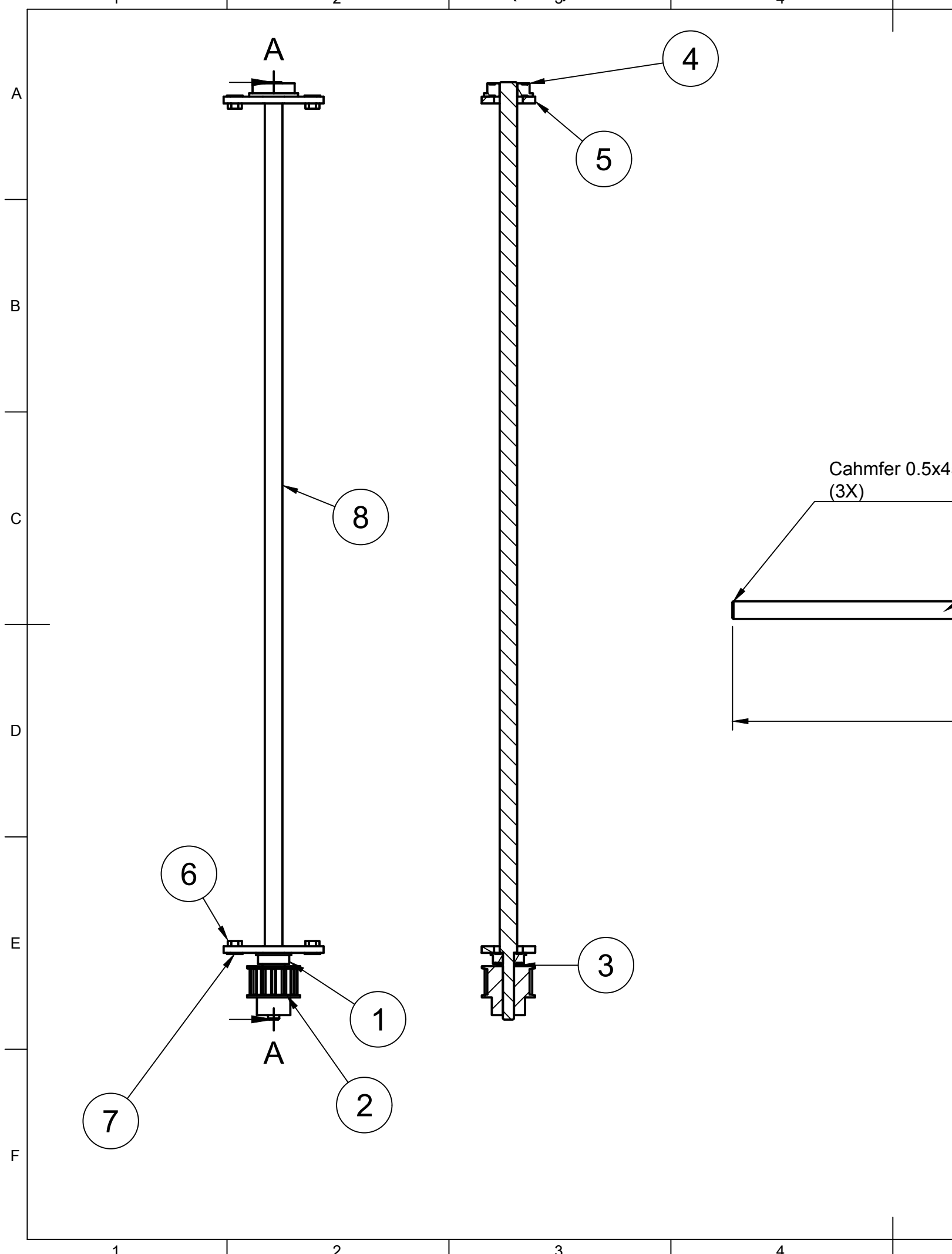


Parts List

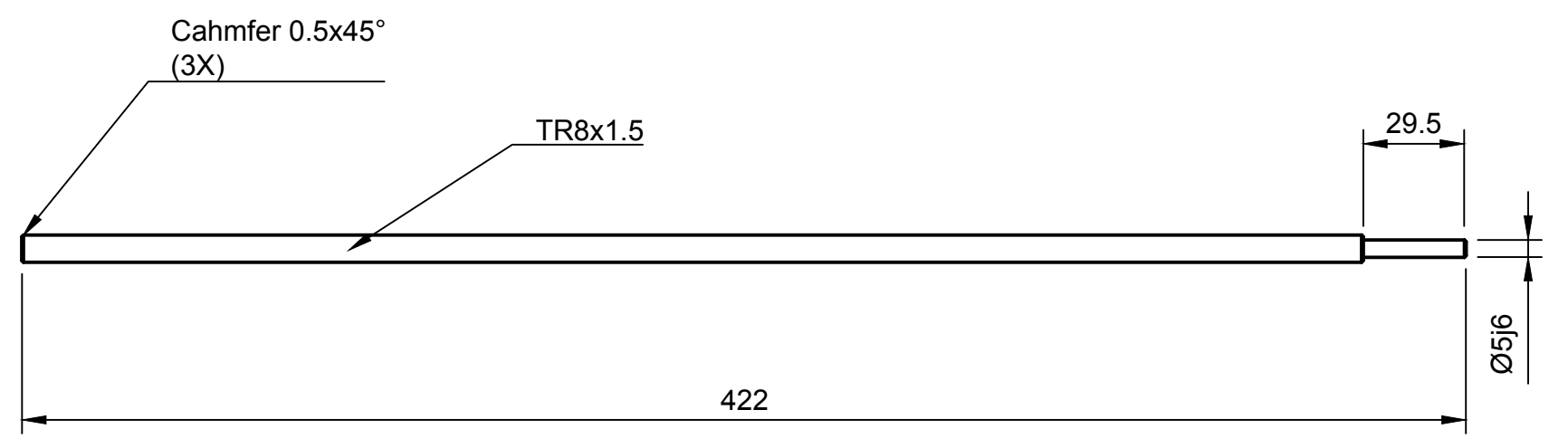
Item	Qty	Part Number	Description	Material
1	1	Extruder_Gear_M1.5x45 v1		
2	2	Screw_DIN_912_M3x20 v1		Stainless Steel
3	4	Nut_DIN934_M3 v1		Steel
4	4	Screw_DIN7380_M3x8 v1		Stainless Steel
5	1	Pin_8x25 v1		Steel
6	3	Bearing_608 v1		Steel
7	1	Extruder_HobbedBolt v1		Steel
8	1	Nut_M8 v1		Steel
9	2	Spring_4x10 v1		Steel
10	2	Washer_DIN9021_M3 v1		Stainless Steel
11	1	HotEnd_E3D_V6 v1		
12	1	Nema17_40 v1		Steel
13	2	Screw_DIN_912_M3x40 v1		Stainless Steel
14	1	Extruder_Gear_M1.5x10 v1		ABS Plastic (Orange)
15	1	KPV6_WadeExtruderMain v1		ABS Plastic

Dept.	Technical reference	Created by <b>Christian Oekermann 09.01.2017</b>	Approved by	
	Document type		Document status	
	Title <b>KPV6_WadeExtruderMain</b>		DWG No.	
	Rev.	Date of issue	Sheet <b>1/1</b>	

A-A (1:2)



Parts List				
Item	Qty	Part Number	Description	Material
1	1	Bearing_F605 v1		Steel
2	1	Pulley_T5x10_14T v1		Steel
3	1	Washer_DIN125_M5 v1		Steel
4	1	Bearing_F698 v1		Steel
5	2	Clamp v1		Aluminum
6	4	Nut_DIN934_M3 v1		Steel
7	4	Washer_DIN125_M3 v1		Steel
8	1	Z-screw		Stainless Steel



Dept.	Technical reference	Created by <b>Christian Oekermann 09.01.2017</b>	Approved by	
	Document type		Document status	
	Title <b>KPV6_Z-Screw_ASM</b>		DWG No.	
	Rev.	Date of issue	Sheet <b>1/1</b>	